

# ARA62

## 9-15V PSU Module



- Supports 9-15 VDC power input.
- The AC power module of Hub 2 can be replaced.
- A round hole connector can be used externally to connect with a 2-pin terminal block.

### Series Overview

The PSU module is a power adapter board that is used to connect Hub2 to a 12 VDC power supply.

### Technical Specification

#### Technical

Output Voltage	9-15 VDC
Maximum Load Output	1.2 A

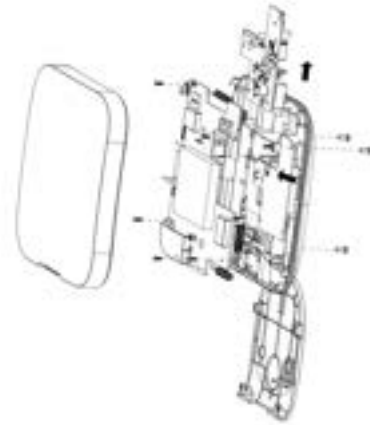
#### General

Power Supply	9-15 VDC power input
Operating Temperature	-10 °C to +55 °C (+14 °F to +131 °F)
Operating Humidity	10%-90% (RH)
Product Dimensions	89 mm × 79 mm × 12 mm (3.50" × 3.11" × 0.47")
Net Weight	20.00 g (0.04 lb)
Gross Weight	66.35 g (0.15 lb)
Anti-corrosion Level	Basic Protection
Packaging Dimensions	Single Device in inner box: 106 mm × 90 mm × 45 mm (4.17" × 3.54" × 1.77") Protective case: 339 mm × 291 mm × 261 mm (13.35" × 11.46" × 10.28")

### Ordering Information

Type	Model	Description
Alarm Accessory	ARA62	9-15V PSU Module

### Installation



### Dimensions (mm[inch])

