

DHI-ARD1233-W2(868) B

Wireless PIR detector



- Pet immunity function.
- Auto temperature compensation.
- 3-level sensitivity adjustment.
- Signal strength detection.
- Low battery alarm.
- Temperature monitoring.
- Frequency hopping function and two-way communication technology ensure communication stability.
- Cloud update and automatic recovery from update failure.

System Overview

Wireless PIR detector is a wireless motion detector that can detect if there is a human moving around the detector. It can detect human or large animals invading the armed area, and provides timely notifications of alarm events, acting as a monitoring mechanism.

Scene

Mainly applied for villas, shops, apartments, etc.

Technical Specification

Port

| | |
|-----------------|---------------------------|
| Indicator Light | 1 × green alarm indicator |
| Button | 1 × power button |

Function

| | |
|-------------------|---------------------------|
| Tamper Alarm | Yes |
| Remote Upgrade | Cloud update |
| Search | Signal strength detection |
| Test Mode | Yes |
| Low Battery Alarm | Yes |

Wireless

| | |
|-------------------------|--|
| Carrier Frequency | 868.0 MHz–868.6 MHz |
| Communication Distance | Up to 1,600 m (5,249.34 ft) in an open space |
| Communication Mechanism | Two-way |
| Encryption Mode | AES128 |

| | |
|-------------------|-----|
| Frequency Hopping | Yes |
|-------------------|-----|

General

| | |
|-----------------------|--|
| Power Supply | CR123A battery |
| Power Consumption | Max. 120 mW |
| Operating Temperature | −10 °C to +55 °C (+14 °F to +131 °F) (indoor) |
| Operating Humidity | 10%–90% (RH). |
| Dimensions | 104.0 mm × 60.0 mm × 50.0 mm (4.09" × 2.36" × 1.97") (L × W × H) |
| Package Dimensions | 135.0 mm × 98.5 mm × 56.8 mm (5.31" × 3.88" × 2.24") (L × W × H) |
| Installation Mode | Wall mount |
| Net Weight | 100 g (0.22 lb) |
| Gross Weight | 170 g (0.37 lb) |
| Certifications | CE EN 50131-1:2006+A1:2009+A2:2017+A3:2020 EN 50131-2-2:2017 EN 50131-6:2017 EN 50131-5-3:2017 Security Grade 2 Environmental Class II |
| Battery Life | 4 years |
| Casing | PC + ABS |

Temperature

| | |
|---------------------|---|
| Measuring Range | −15 °C to +65 °C (+18.8 °F to +149 °F) (indoor) |
| Measuring Precision | ± 1 °C (± 33.8 °F) |
| Resolution | 1 °C (33.8 °F) |

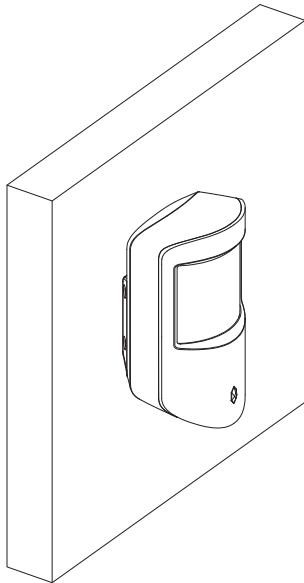
Specification

| | |
|--|---|
| Detection Mode | PIR |
| Sensor | Dual-element low-noise PIR sensor |
| Detection Range | 12 m (39.37 ft) (90°) with installation height of 2.2 m (7.21 ft) |
| Detection Speed | 0.3 m/s–3 m/s (0.98 ft/s–9.84 ft/s) |
| Pet Immunity Level | ≤ 18 kg (39.68 lb) |
| White Light Resistance Level | 2000 lx |
| Two-way Digital Temperature Compensation | Yes, no attenuation of detection distance in high temperature |
| Sensitivity | 3 levels adjustable |

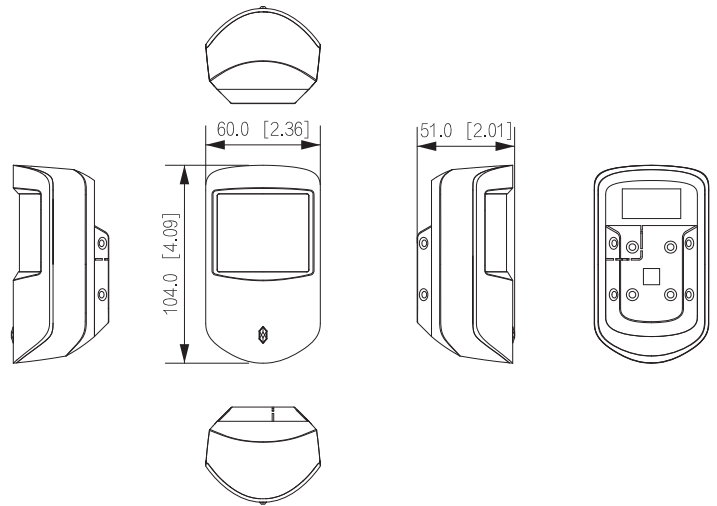
Ordering Information

| Type | Part Number | Description |
|-----------------------|---------------------|-----------------------|
| Wireless PIR detector | DHI-ARD1233-W2(868) | Wireless PIR detector |

Installation



Dimensions (mm[inch])



Application

